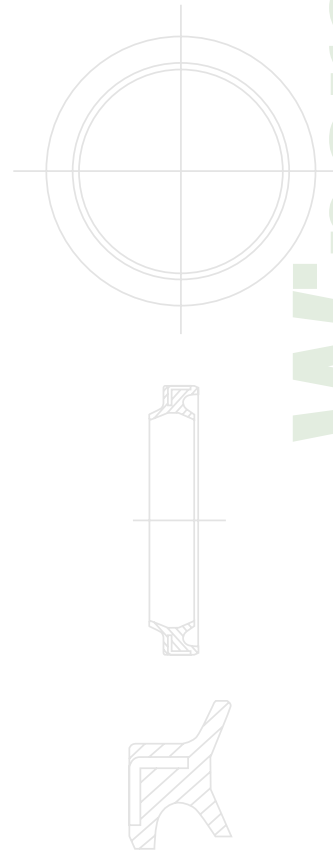
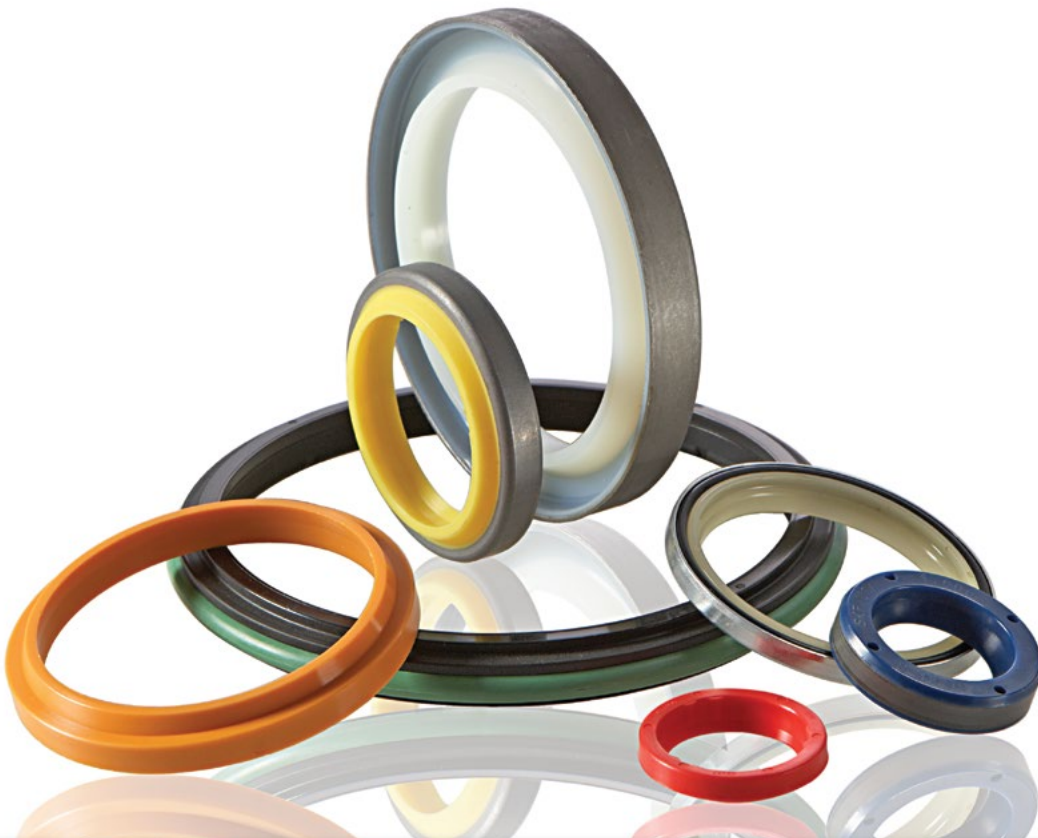


O-Rings & Kits
Compounds
Custom Parts
Specialty Parts
Services
Wear Guides
Rod Seals
Piston Seals

QUALITY | VALUE | SERVICE

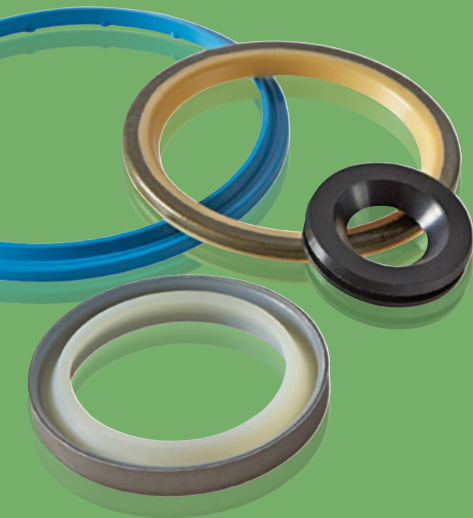
Wipers

Wipers



HIGH PERFORMANCE SEALS
An RT Dygert Company

Seal good in, wipe bad out.







In the industrial fluid and hydraulics fields, contaminants pose a constant threat to infiltrate sensitive systems. There's tremendous pressure on seals, and manufacturers must rely on flawless wipers to continuously seal out debris. That's why High Performance Seals wipers are your best line of defense.

We stock every type of wiper for every application. With our world-wide network, we can source even the most difficult-to-find wipers. If you require custom forms and fits, we'll design and create a wiper that fits your plan to the T – from prototyping to testing to certification.

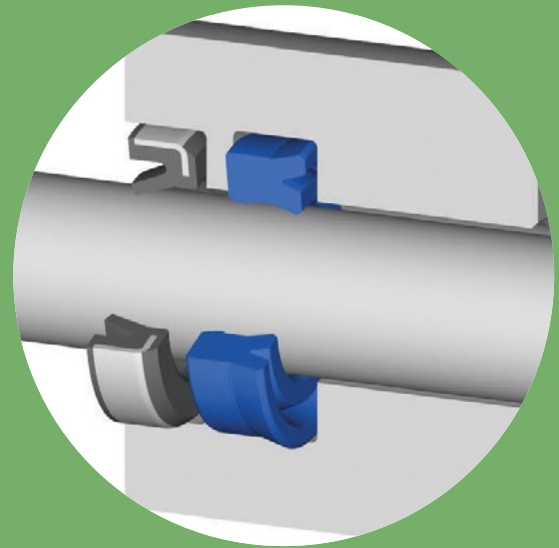
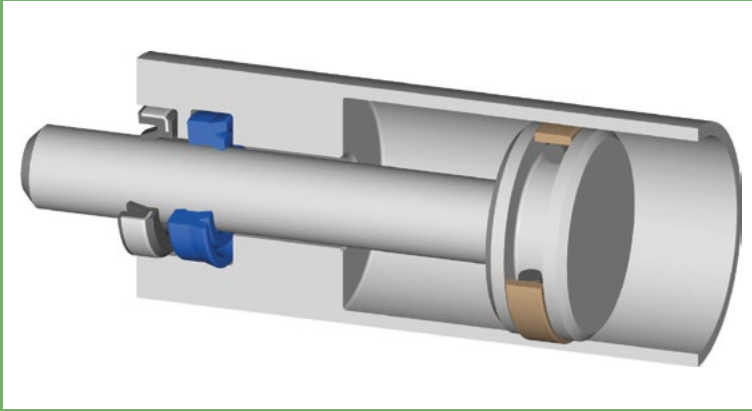
We also save you time and trouble too with our value added services like JIT/Kanban programs, pre-production and kitting, custom product markings and your choice of packaging options. High Performance Seals is your one-stop resource for everything, including peace of mind.

For more information, quick quotations, expert consultation and responsive customer service call us at 877.796.0123 or visit www.highperformanceseals.com.





WIPERS

STANDARD AN WIPER 	TEMPERATURE RANGE -50° – +275° F VELOCITY 3.2 feet/sec max	MATERIALS Urethane Hytrel™	FEATURES Short axial shoulder height Slotted heel available	APPLICATIONS Light duty Low friction Retrofits MS-33675 glands for corresponding dash numbers of MS-28776
D-STYLE WIPER 	TEMPERATURE RANGE -50° – +400° F VELOCITY 3.2 feet/sec max	MATERIALS Urethane Hytrel™ Nitrile Viton™	FEATURES Slotted heel available Dual OD contact points Radius wiper lip Different style available Low wear, long life	APPLICATIONS Medium duty Large diameter High cycle Contaminated environments
PREMIUM D-STYLE WIPER 	TEMPERATURE RANGE -50° – +275° F VELOCITY 3.2 feet/sec max	MATERIALS Urethane Hytrel™ Nitrile Viton™	FEATURES RL wiper lip Slotted heel O-ring energizer Radius wiper lip Reduces rod seal leakage Long wear, long life	APPLICATIONS Moderate/Heavy duty Retrofits standard D Wiper grooves Withstands severe side deflections & shock loads Long stroke Contaminated environments
H WIPER 	TEMPERATURE RANGE -50° – +400° F VELOCITY 2.4 feet/sec max	MATERIALS Urethane Nitrile Hytrel™ Viton™	FEATURES Secondary rod and u-cup Radius wiper lip	APPLICATIONS Light/Medium duty Low pressures Mill cylinders





QUALITY | VALUE | SERVICE

<p>SH WIPER</p> 	<p>TEMPERATURE RANGE -50° – +250° F</p> <p>VELOCITY 4.9 feet/sec max</p>	<p>MATERIALS Urethane</p>	<p>FEATURES Secondary rod u-cup Radius lip wiper Self cleaning wiper lip design Reduction in apparent rod seal leakage Mechanical & chemical bonding of metal retaining ring & urethane element</p>	<p>APPLICATIONS Medium/Heavy duty Severely contaminated environments Mobile hydraulics</p>
<p>SC WIPER</p> 	<p>TEMPERATURE RANGE -50° – +250° F</p> <p>VELOCITY 4.9 feet/sec max</p>	<p>MATERIALS Urethane</p>	<p>FEATURES Radius lip wiper Self cleaning wiper lip design Reduction in apparent rod seal leakage Mechanical & chemical bonding of metal retaining ring & urethane element</p>	<p>APPLICATIONS Heavy duty Severely contaminated environments Mobile hydraulics</p>
<p>STANDARD METAL CLAD WIPER</p> 	<p>TEMPERATURE RANGE -50° – +250° F</p> <p>VELOCITY 4.9 feet/sec max</p>	<p>MATERIALS Urethane</p>	<p>FEATURES Mechanical & chemical bonding of metal retaining ring & urethane element Highly abrasion & wear resistant urethane base</p>	<p>APPLICATIONS Heavy duty Severely contaminated environments Mobile hydraulics Dry/wet mud & ice Tough scraping environments</p>
<p>METAL CLAD SPRING LOADED WIPER</p> 	<p>TEMPERATURE RANGE -50° – +250° F</p> <p>VELOCITY 4.9 feet/sec max</p>	<p>MATERIALS Urethane</p>	<p>FEATURES Mechanical & chemical bonding of metal retaining ring & urethane element Unique lip design for stainless steel ring</p>	<p>APPLICATIONS Heavy duty Severe service conditions Temperature extremes</p>

NOTE: Capabilities shown in this brochure are directly related to design tolerances. Please consult with High Performance Seals for your specific application. High Performance Seals supplies many special wipers at temperatures up to 500°F and in sizes ranging from tiny up to 4-8”.

Wipers

sales@highperformanceseals.com • www.highperformanceseals.com

SEATTLE
3902 W. Valley Hwy N., Suite 200
Auburn, WA 98001
253.218.0123 PHONE
877.796.0123 TOLL FREE
253.218.0121 FAX

MINNEAPOLIS
12121 Nicollet Avenue S.
Burnsville, MN 55337
952.835.1700 PHONE
866.783.8883 TOLL FREE
952.835.1701 FAX

CHICAGO
2700 S. River Road, Suite 116
Des Plaines, IL 60018
847.675.1444 PHONE
800.423.9272 TOLL FREE
847.675.8889 FAX

© 2015, High Performance Seals, Inc. Rev 12.16

LIMITED WARRANTY High Performance Seals ("Seller") warrants that its products ("Goods") will perform in accordance with their specifications; that the goods will be free from manufacturing defects for a period of twelve (12) months from the date of delivery of the goods to Buyer; and that the goods will be as specified by Buyer in the purchase order. Seller should have the right to elect to either refund the purchase price for any defective goods or replace any defective goods, provided that the goods were used in the manner for which they were manufactured. Seller does not warrant that the goods are fit for any particular purpose. Seller should have no obligation to refund the purchase price or replace goods that are rendered defective by a Buyer or a third party after they leave Seller's place of shipment.

LIMITED LIABILITY Seller's liability for its goods is limited to their terms set forth in Seller's express warranty set for above, in no event shall Seller's liability exceed the total purchase order price. Seller is not assuming any liability for any indirect, collateral, special, incidental or consequential losses or damages suffered by Buyer, or by any end-user or other third party, including but not limited to, lost profits, loss of business reputation and/or lost business opportunity, for any possible cause of action or claim arising out of or related to the goods sold to Buyer, even if Seller has been advised of the possibility of such loss or damage.

